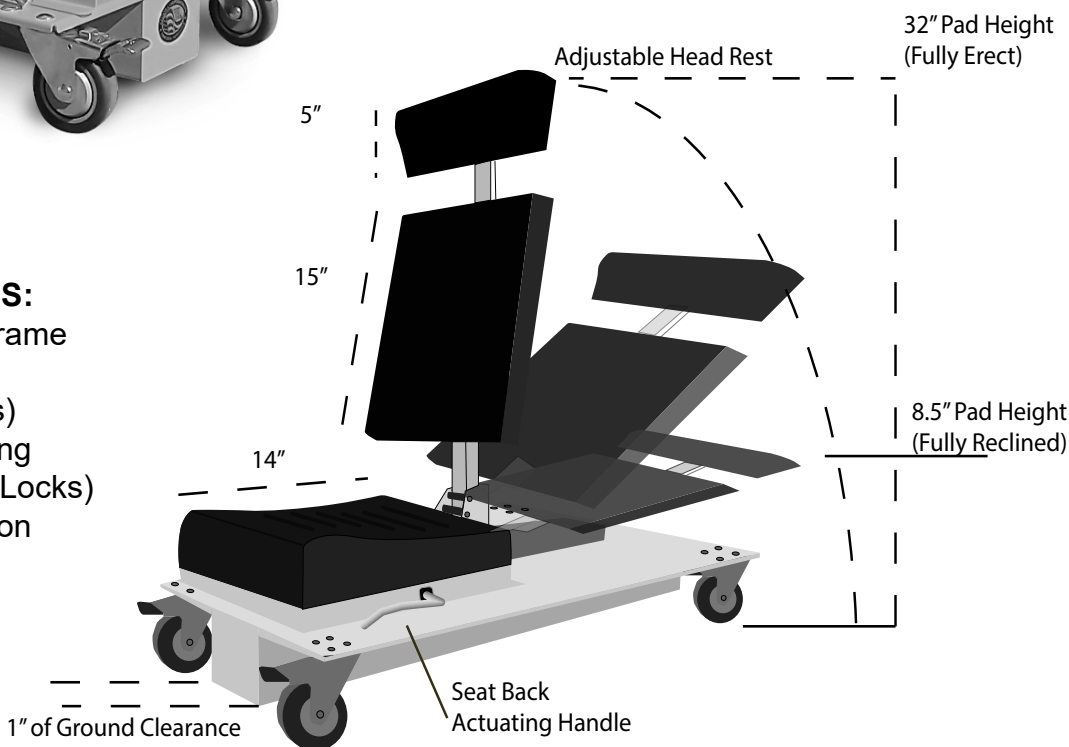




The LowMaster positioner is designed for heavy use in the most demanding industrial environments. It keeps a fully contoured position relative to head & neck throughout its range of motion. Its durable construction features only top quality materials. All heavy wear parts are replaceable--seat, casters and gas cylinder.

CONSTRUCTION FEATURES:

- 12 Gauge Steel Rectangular Frame
- Optional Steel Tool Tray, (mounts on either or both sides)
- Baked on Epoxy Powder Coating
- Heavy Duty Casters (Two with Locks)
- Comfortable yet durable Injection Molded Seat



Warranty: Eidos products are covered by a limited warranty for a period of five years from date of purchase.

* *Online Product Registration :*
<http://www.eidosergonomics.com/product-registration.html>

CAUTION:

WITH NO LOAD THE BACKREST CAN SPRING FORWARD FORCIBLY WHEN ACTIVATED. THEREFORE. RESTRAIN THE BACKREST WITH ONE HAND WHEN INITIALLY ACTIVATING THE UNIT. ALSO. WHEN FIRST LOWERING BACK WHILE SEATED ON UNIT, RELEASE ACTIVATING HANDLE GRADUALLY UNTIL YOU GET THE FEEL OF HOW RAPIDLY YOU WISH TO LOWER THE BACKREST.

Position seat back to desired position with activating handles. These handles also act as a hand grip to assist you in raising and lowering yourself on the unit. When new, the action of the handle may be slightly stiff and may need to be manually pushed to the off or unengaged position.

While activating the handle with backrest in the upright position, minimal pressure is required against the back to lower it. While lying on the unit, it will be necessary to grasp the activating handle and pull yourself up slightly to allow the backrest to move toward the upright position.

The position of the headrest is adjusted vertically by means of a knob located on the rear of the headrest support. Loosen, adjust height, then retighten knob.

A optional tool tray is avialble to add to the Model 107. This may be mounted on either or both sides. Contact EIDOS for details.

The caster guards available with the unit primarily act to push air lines. static lines and large debris from the caster path.

For More information:

<http://www.eidosergonomics.com/model107.html>



Link to Model 107
Web Page

Warranty: Eidos products are covered by a limited warranty for a period of five years from date of purchase.

**Online Product Registration :*

<http://www.eidosergonomics.com/product-registration.html>